

Athena S

For oven equipped with:



» The product is a monolithic electronic control integrated in plastic housing made for oven. It allows to manage time, temperature and auxiliary loads. Two different aesthetic (LED displays) are available in different colors. It integrates until 6 keys functions. Shape and surface treatment of plastic buttons are adaptable to the request.



Characteristics:

Accurate Temperature Setting up to $\pm 1^{\circ}\text{C}$

Electronic profiled T° control

NTC or PT1000 cavity sensor

Minute Minder, Duration, Delayed start functions

Selector position recognition

Suggested Temperature Preset for each function

LED display 4 digit, 3 symbols, 8 border icons for display Cooking modes, Additional Menu information, Line & Thermo indication...

or

Oven cavity Icons, 4 digits, 3 symbols

Pyro-capable with active latch system drive

Maximum Ambient Temperature: T105°C

Supply voltage: 220/240V 50/60Hz self-adapting
Under 1 W consumption in standby

Inputs:

Up to 6 Keys (Integrated Keyboard available)

2 analog inputs for comand Knob

1 analog input for temperature sensor

1 High voltage input

Model selection through 10 positions encoding wheel

Outputs:

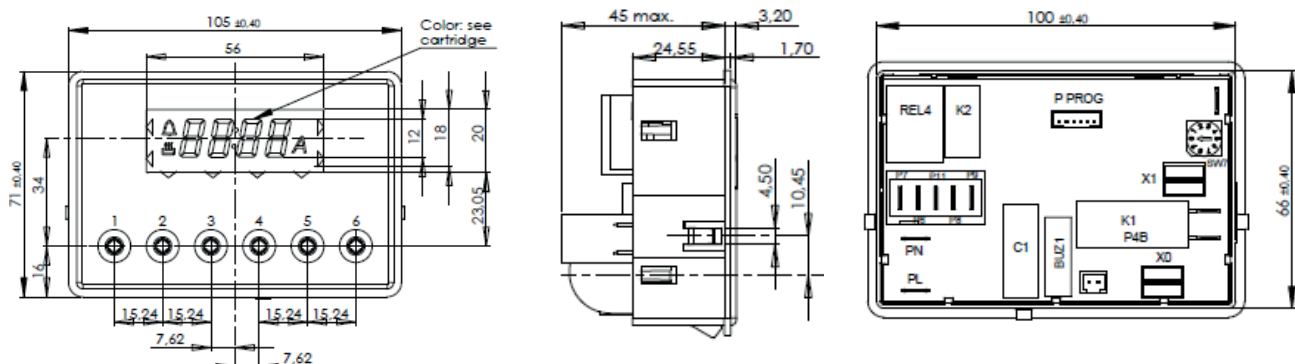
1 Relay 16A K1

1 Relay 10A K3

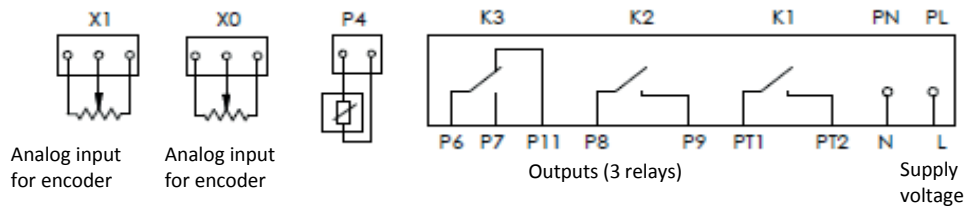
1 Relay 2A K2

1 Buzzer

Dimensions:



Connections:



Example of panel aesthetic with Athena S



note1



Note 1: 1 knob with Turn and Push function

