

Temperature Probe

» NTC temperature sensor for appliances and industrial products. Connection to electronic made through 6,35mm tabs or Rast 2,5 connector. Plastic or



Plastic Housing:

Characteristics:

Operating Temperature: 0 to 90°C
 NTC value at 25°C: 20K Ohms
 Accuracy at room T° (23,5°C): +/- 1°
 R value at 80°C: 2470 to 2900 Ohms
 Operating voltage: 5V
 Dielectric strength: 3750V
 Insulation resistance >= 7M Ohms at 500V
 Housing tracking index: 250V
 2 types of connections: 6,35 tabs or Rast 2,5mm

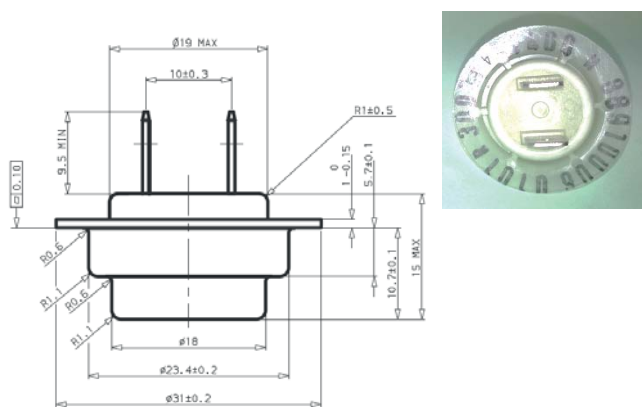
Metal Housing:

Characteristics:

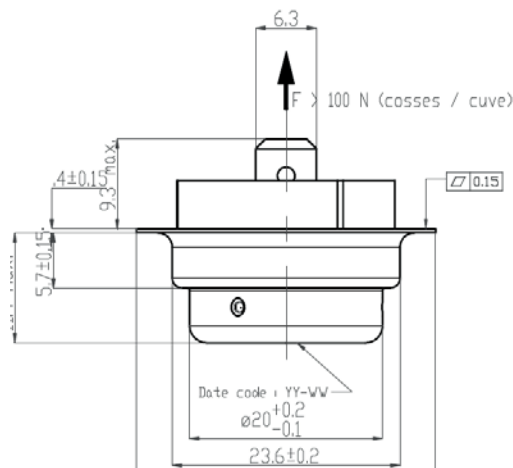
Operating Temperature: 0 to 130°C
 NTC value at 25°C: 5K Ohms
 R value at 80°C: 620 to 750 Ohms
 Class II
 Operating voltage: 5V
 Dielectric strength: 3750V
 Insulation resistance >= 7M Ohms at 500V
 Connections: 6,35 mm tabs

Dimensions:

6.3 x 0.8 mm Tabs:



Dimensions:



Rast 2.5mm :

